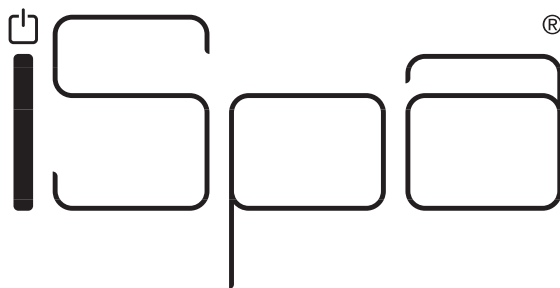


PROGRAMMA MISCELAZIONE BAGNO
BATH MIXING PROGRAM
PROGRAMME DU MITIGEUR POUR LA SALLE DE BAIN
BAD-MISCHUNGSPROGRAMM
PROGRAMA MEZCLADORES BAÑO
ПРОГРАММА СМЕСИТЕЛЕЙ ДЛЯ ВАННОЙ
ΛΟΥΤΡΟ ΠΟΥ ΑΝΑΜΙΓΝΥΕΙ ΤΟ ΠΡΟΓΡΑΜΜΑ
浴室混水产品

The logo for ISpaa features the letters 'i', 'S', 'p', and 'a' in a stylized, outlined font. The 'i' is a solid black vertical bar with a small square at the top. The 'S' is a large, rounded outline. The 'p' is a vertical line with a rounded top. The 'a' is a rounded outline with a small square at the top. A registered trademark symbol (®) is located to the right of the 'a'.

Art. 41157

Art. 41160

GESSI 

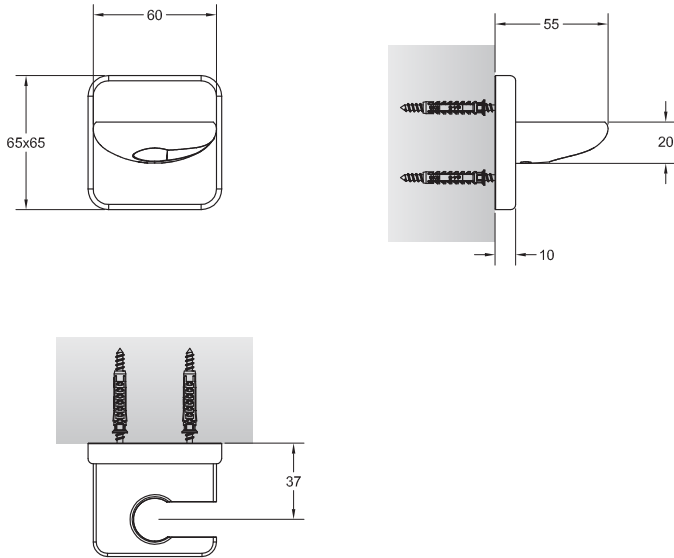
Gessi SpA - Parco Gessi

13037 Serravalle Sesia (Vercelli) - Italy

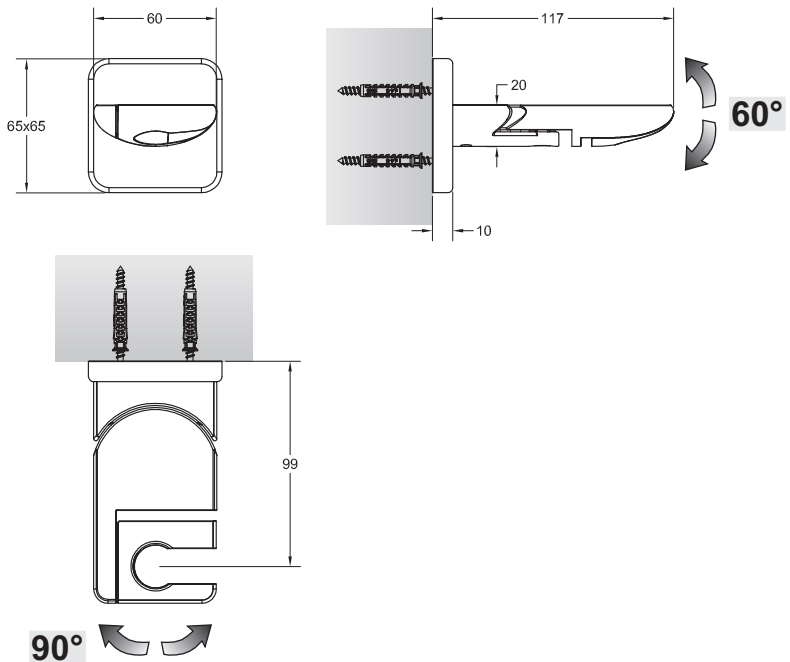
Phone +39 0163 454111 - Facsimile +39 0163 459273

www.gessi.com - gessi@gessi.it

Art. 41157



Art. 41160



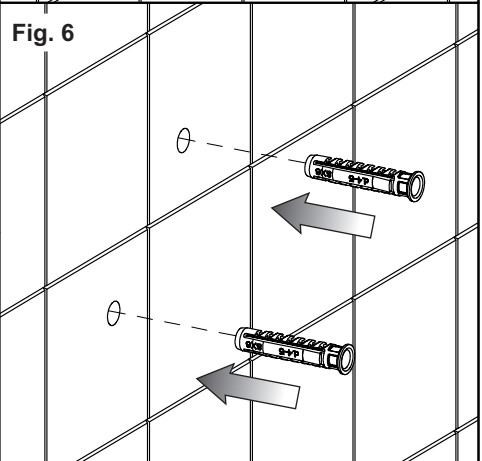
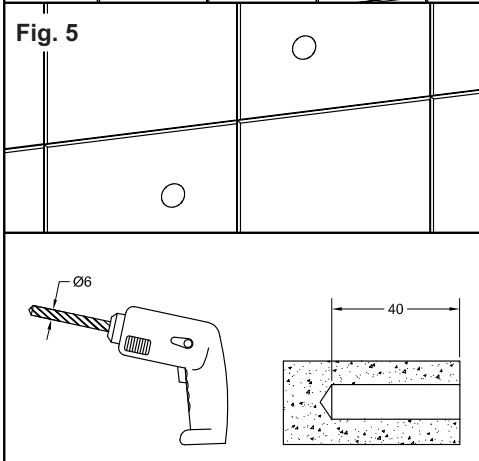
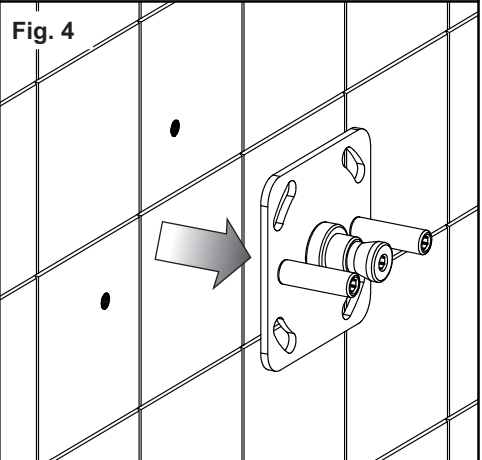
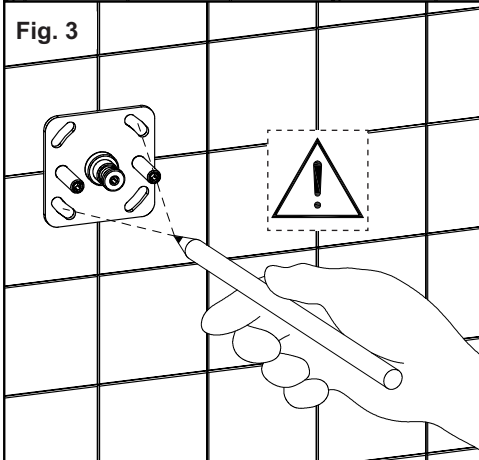
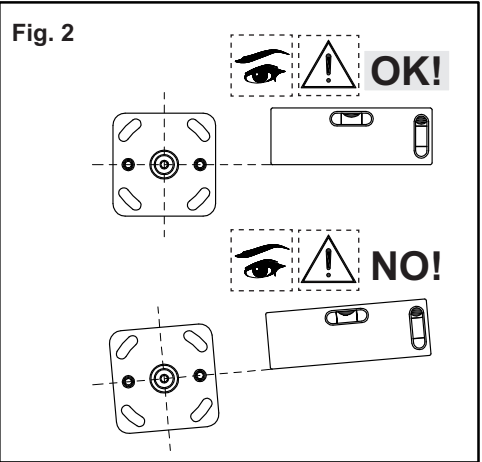
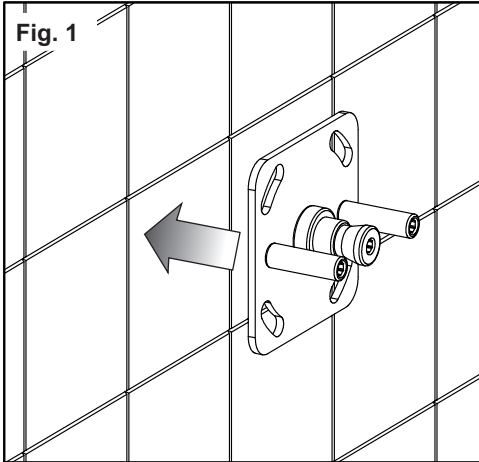


Fig. 7

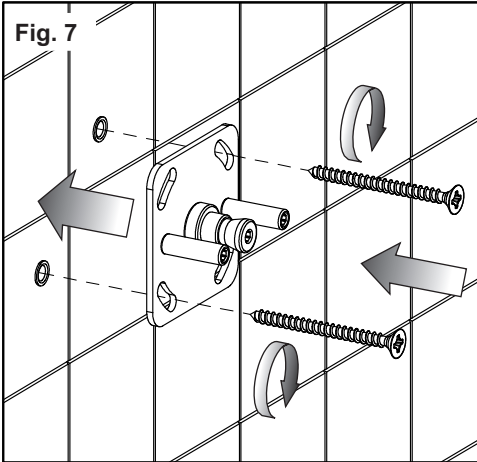


Fig. 8

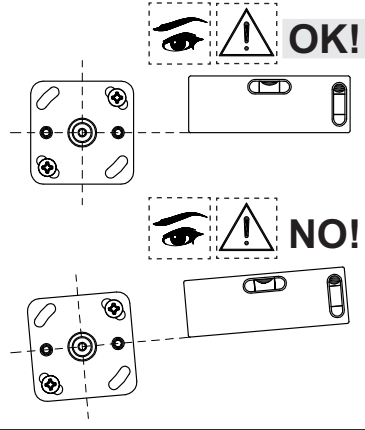


Fig. 9

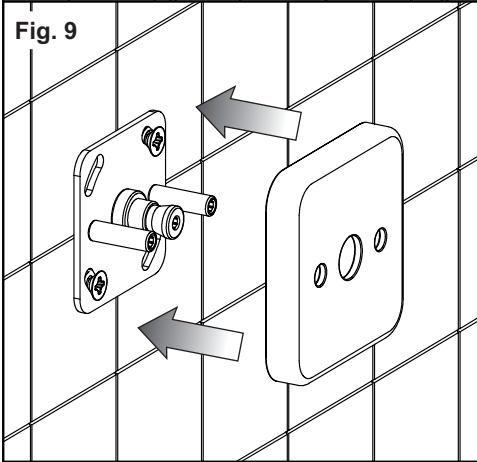


Fig. 10a

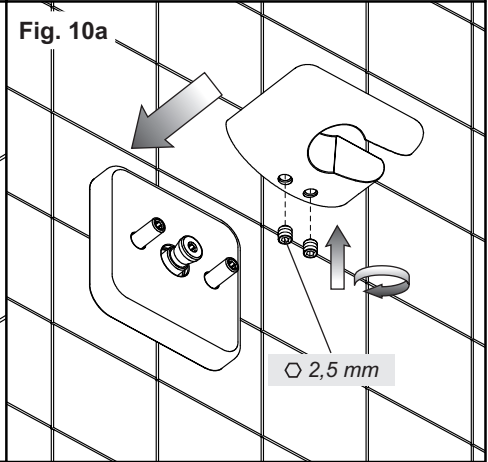


Fig. 10b

