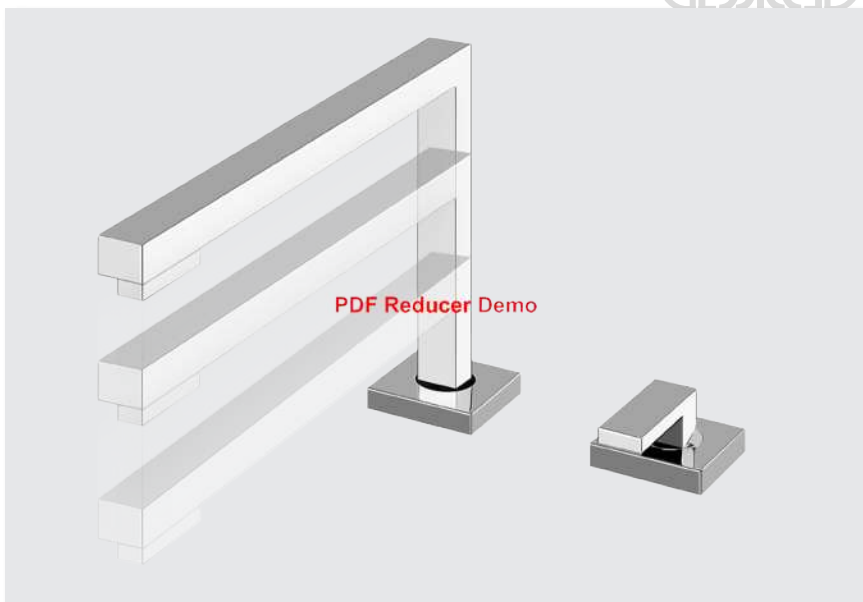
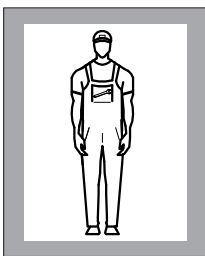




# GESSI<sup>®</sup>

TECHNOLOGY  
FOR THE KITCHEN




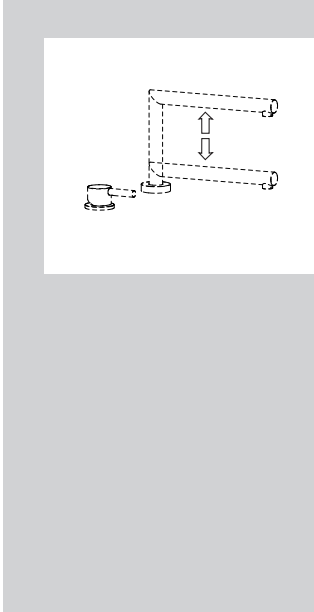
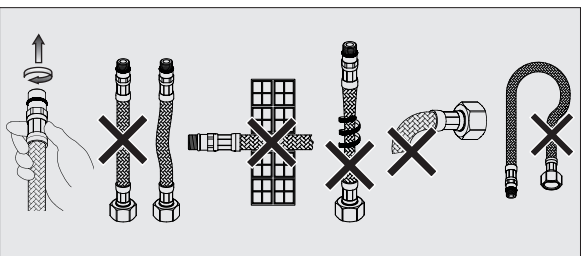
**Gessi SpA**  
Parco Gessi 13037 Serravalle Sesia (Vercelli) - Italy  
Phone +39 0163 454111 - Fax +39 0163 459273  
[www.gessi.com](http://www.gessi.com) - [gessi@gessi.it](mailto:gessi@gessi.it)



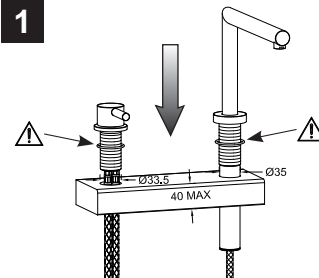
  
  
max. 80° Celsius  
max. 176 Fahrenheit  
5° - 60° Celsius  
41° - 140° Fahrenheit

1 - 5 bar  
14 - 72 psi

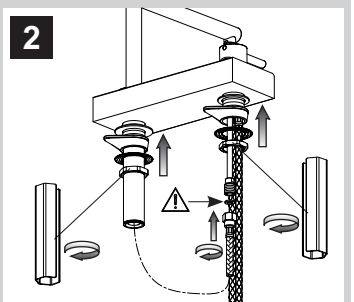
  
max. 10 bar  
145 psi



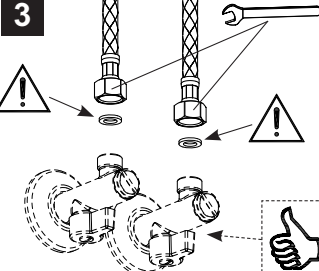
**1**



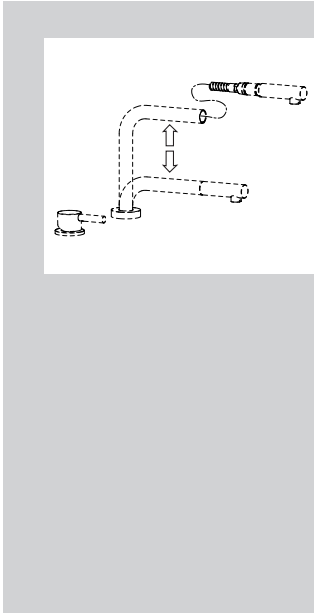
Ø33.5  
40 MAX  
Ø35



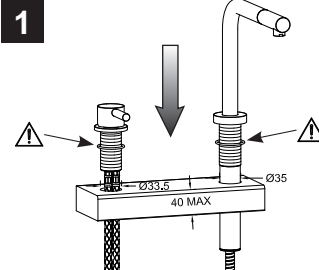
**3**



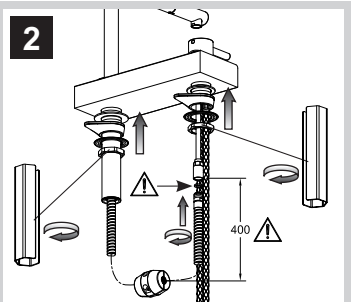
Ø33.5



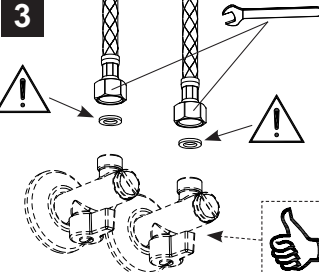
**1**



Ø33.5  
40 MAX  
Ø35



**3**



Ø33.5

