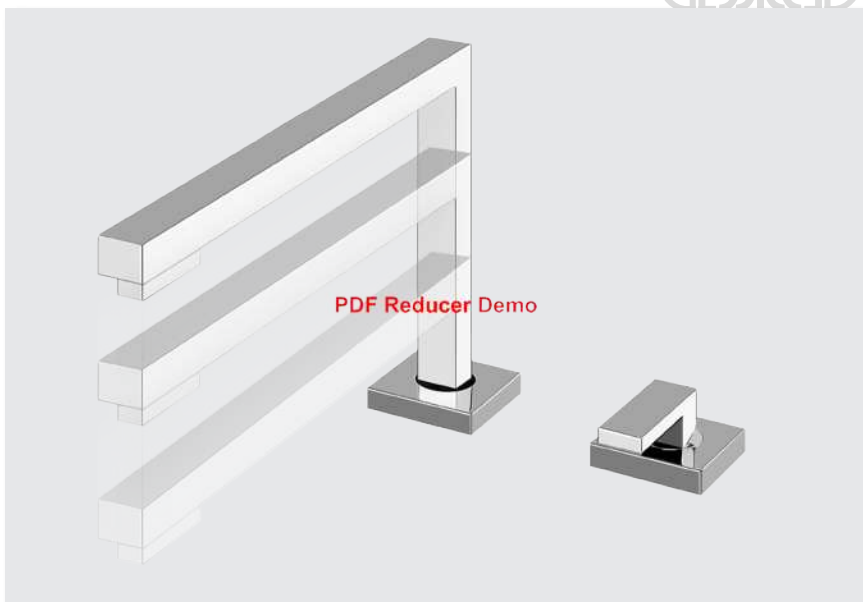
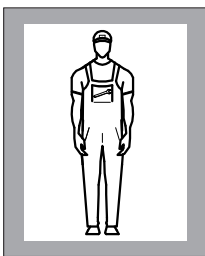




GESSI[®]

TECHNOLOGY
FOR THE KITCHEN




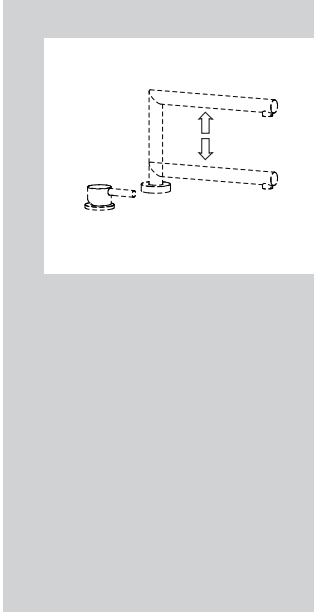
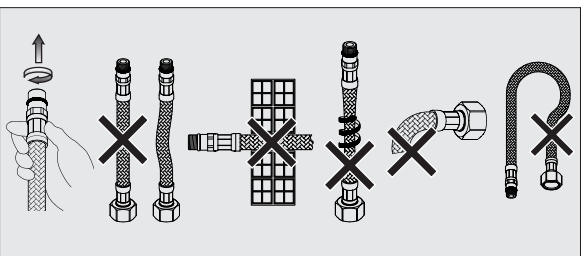
Gessi SpA
Parco Gessi 13037 Serravalle Sesia (Vercelli) - Italy
Phone +39 0163 454111 - Fax +39 0163 459273
www.gessi.com - gessi@gessi.it



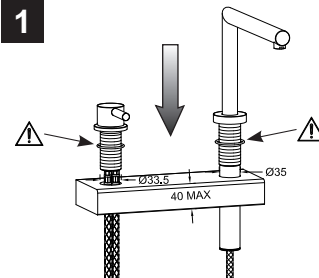


max. 80° Celsius
max. 176 Fahrenheit
5° - 60° Celsius
41° - 140° Fahrenheit

1 - 5 bar
14 - 72 psi

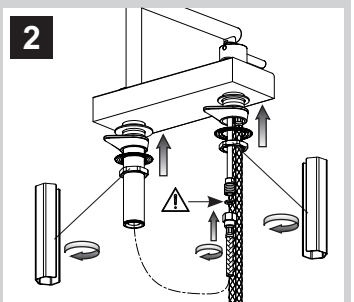

max. 10 bar
145 psi



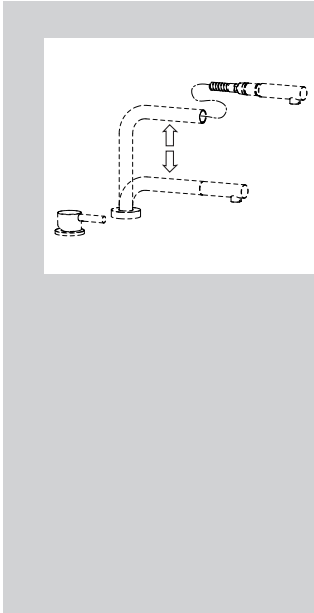
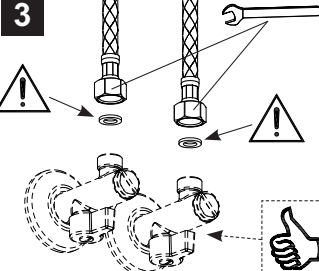
1



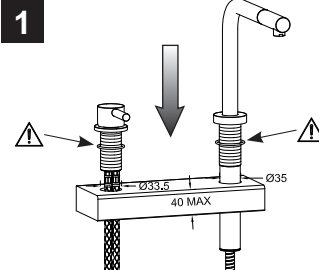
$\varnothing 33,5$
40 MAX
 $\varnothing 35$



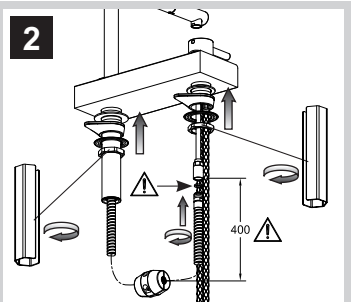
3



1



$\varnothing 33,5$
40 MAX
 $\varnothing 35$



3

