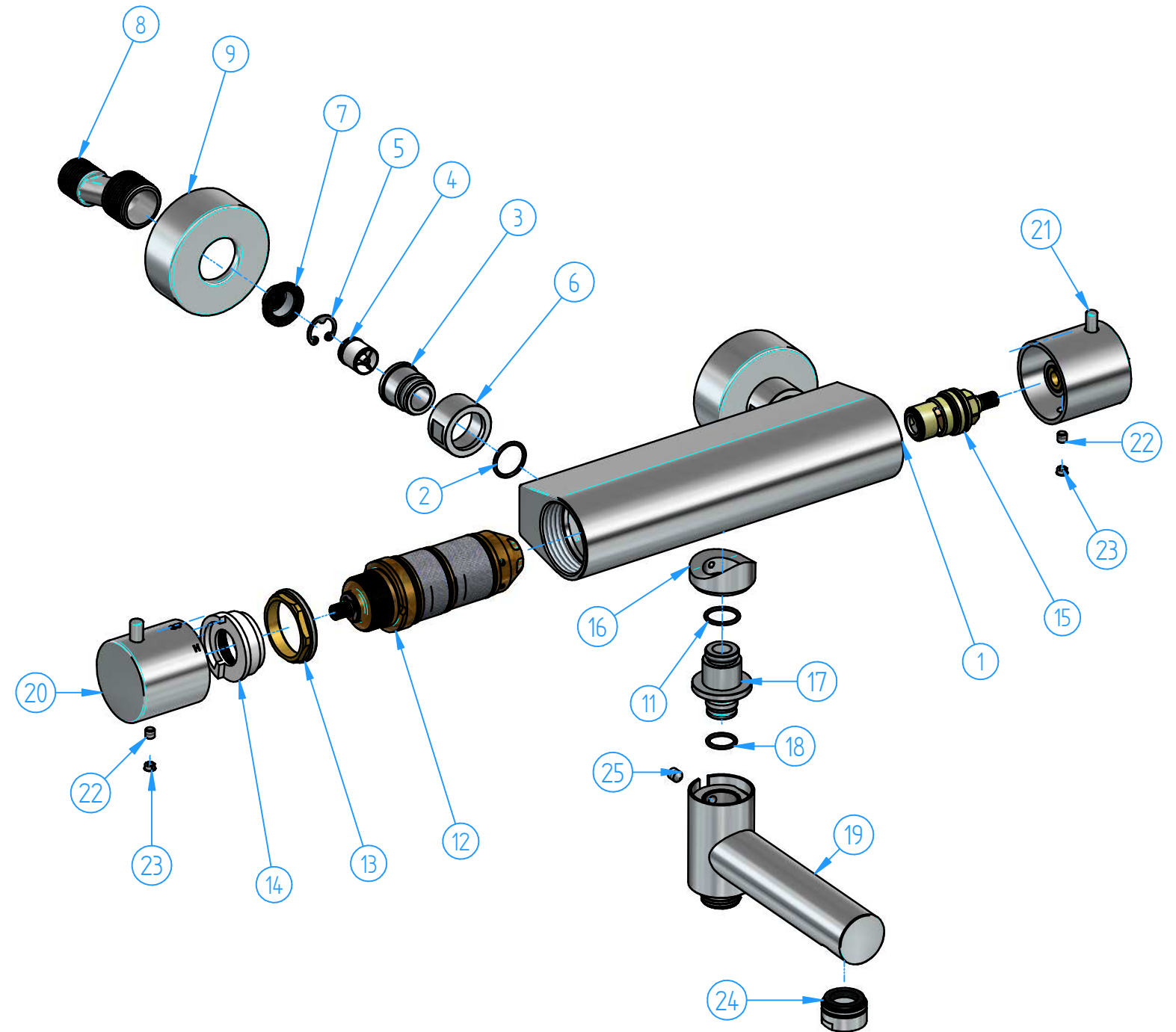


25	B020-15	Dowel M6x8	1
24	B020-002	Aerator	1
23	B009-41	Plug handle	2
22	B009-40	Dowel M5x5	2
21	B008-002	Headwork/diverter handle	1
20	B008-001	Thermostatic handle	1
19	B020-001	Spout -diverter	1
18	B020-03	O.ring 13x1.78	1
17	B020-02	Fitting for spout-diverter	1
16	B020-01	Shaped bush	1
15	B010-003	1/2" Ceramics headwork 90°	1
14	B009-11	Stop ring	1
13	B008-02	Locking nut	1
12	B009-003	Thermostatic cartridge	1
11	B009-20	O.ring	1
9	B008-09	Flange	2
8	B008-10	3/4"-1/2" Union	2
7	B008-06	Washer with filter	2
6	B008-05	3/4" cap	2
5	B008-08	Seger	2
4	B008-003	Chek valve	2
3	B008-03	Nut for 3/4" cap	2
2	B008-07	O.ring	2
1	B008-01	Body	1
ID Number	Code	Description	Pcs



		Sheet 1 of 1	
		Scale 1:3	
N°	REVIEW	Date	
Description		Material	
Wall-mounted thermostatic bathtub mixer, with 2-ways diverter		Weight 0 kg	
Code B020-00	Date of issue 21/04/2017	Chamfers not quoted 0.5x45°	Finishing
			SM Grinding LU Polishing CR GN
This drawing is property reserved of Hotbath Srl. Without express authorization, the copying, distribution and utilization of this document as well as the communication to others is prohibited			

