
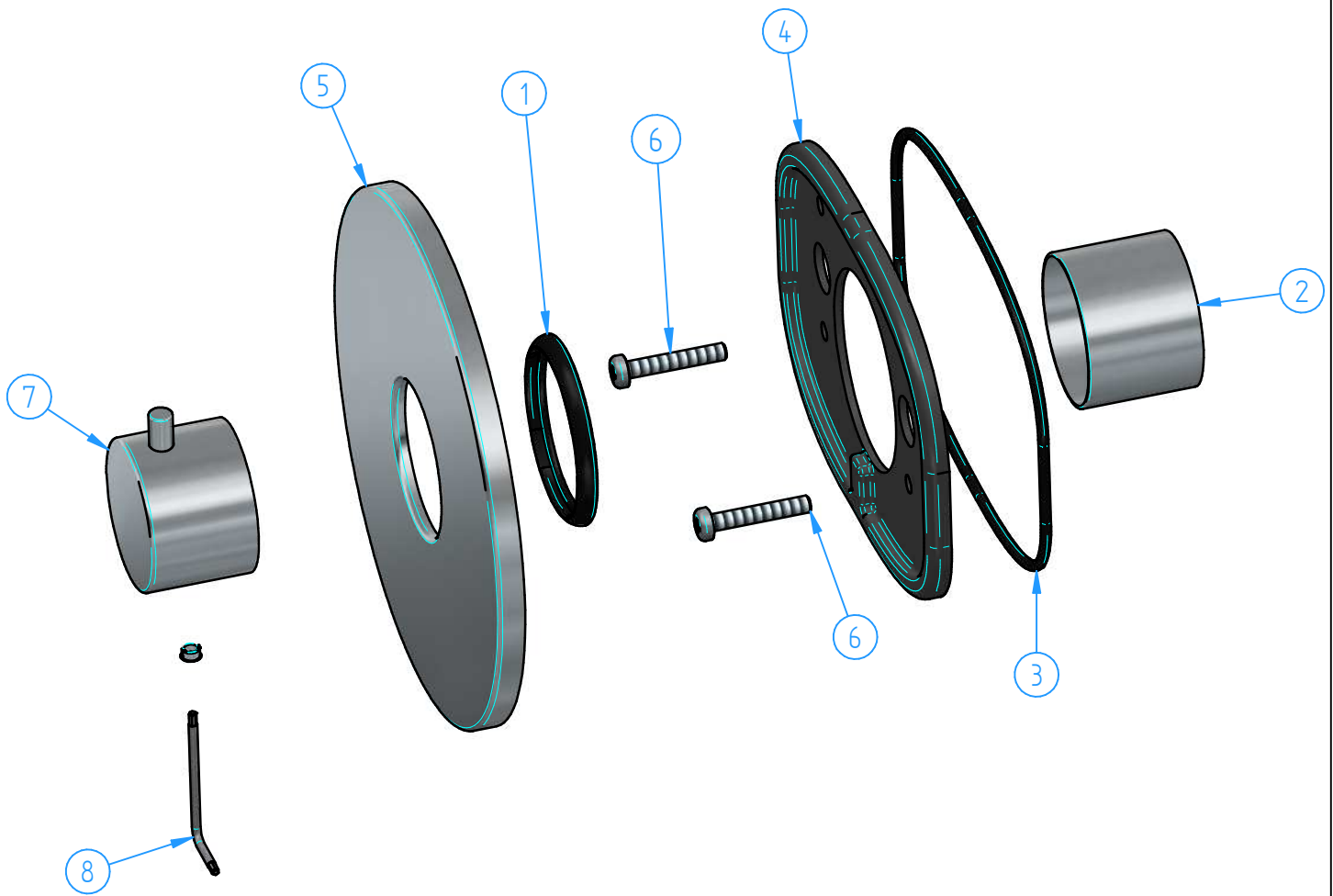



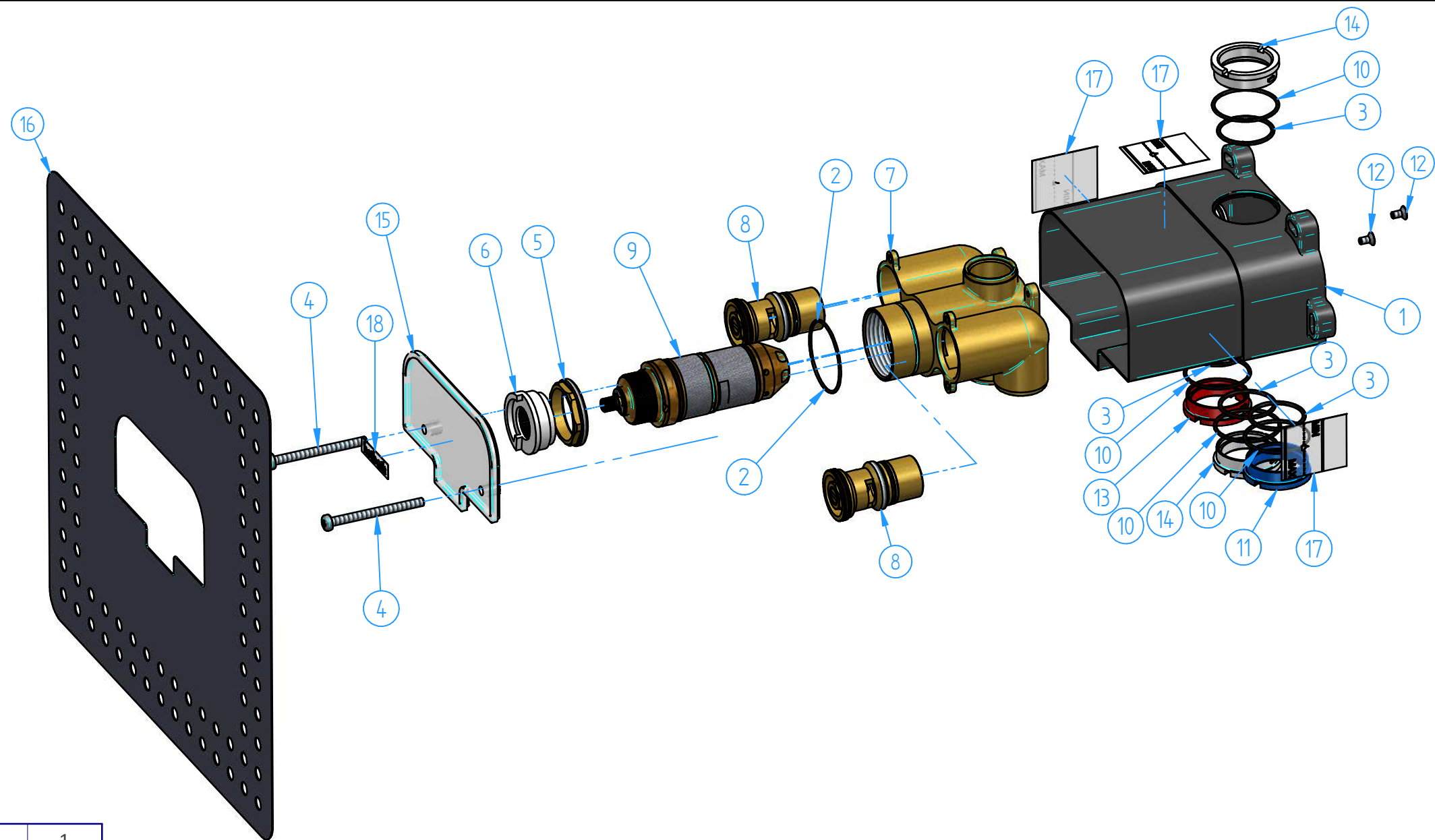
4	B007-001	Trim parts for thermostatic B007	1
3	B010-001	Trim set for concealed tap B010N	2
2	B010-002	Concealed set for 010	2
1	B007-002	Concealed set for thermostatic HB007	1
ID Number	Code	Description	Pcs

		Sheet 1 of 1	
N°	REVIEW	Date	Scale 1:3
Description		Material	
Concealed thermostatic mixer, with 2 stop valves		Weight 0 kg	
Code CB007-00	Date of issue 21/04/2017	Chamfers not quoted 0.5x45°	Finishing SM LU CR Grinding Polishing GN
<small>This drawing is property reserved of Hotbath Srl. Without express authorization, the copying, distribution and utilization of this document as well as the communication to others is prohibited.</small>			 Italian bathroomware



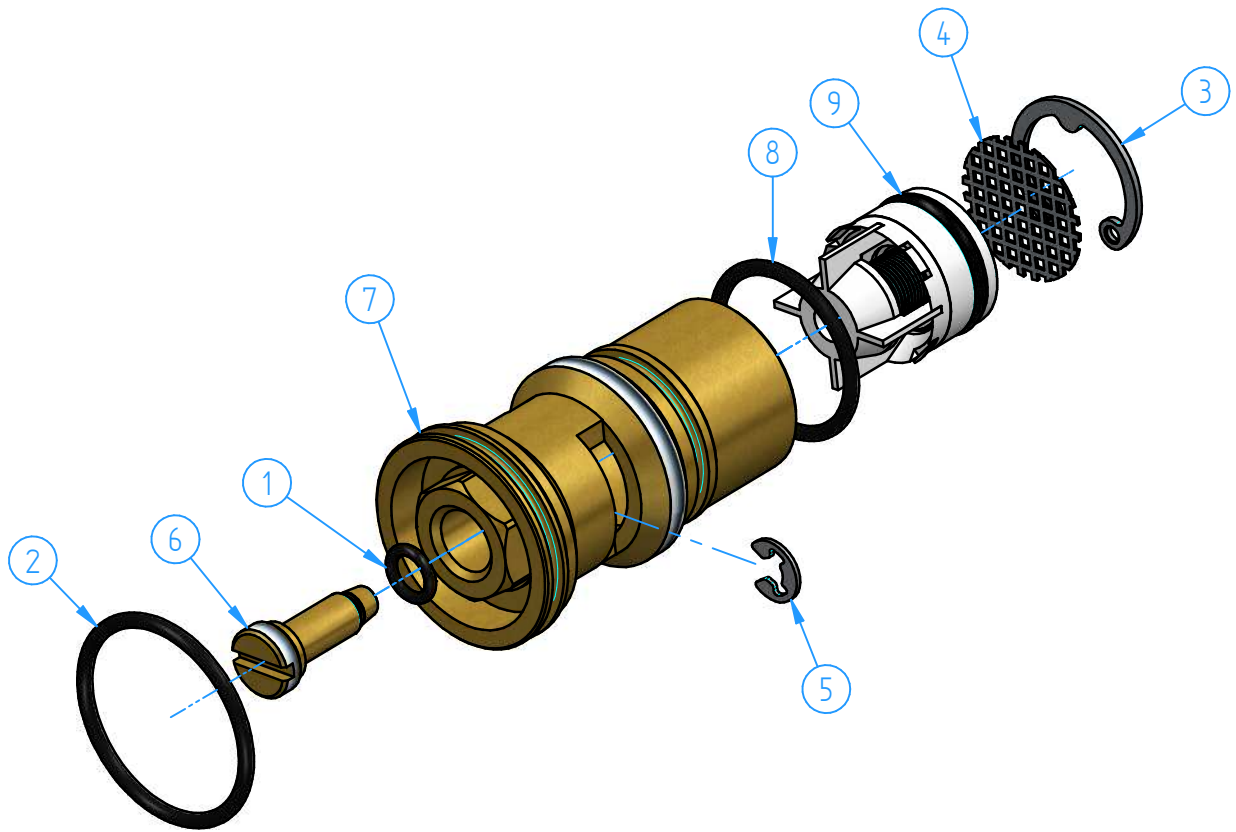
8	B009-008	Handles kit	1
7	B009-006	Thermostatic handle	1
6	B009-32	Screw M5x30	2
5	B007-01	Flange	1
4	B007-02	Sealing cover	1
3	B007-03	O.ring	1
2	B009-26	Thermostatic cartridge cover	1
1	B009-31	Flange gasket	1
ID Number	Code	Description	Pcs

				Sheet	1 of 1
				Scale	1:2
N°	REVIEW			Date	
Description				Material	
Trim parts for thermostatic B007				Weight	
				0 kg	
Code B007-001		Date of issue	20/04/2017	Finishing	
		Chamfers not quoted	0.5x45°	SM Grinding	LU Polishing
				CR GN	
This drawing is property reserved of Hotbath Srl. Without express authorization, the copying, distribution and utilization of this document as well as the communication to others is prohibited					
				 Italian bathroomware	



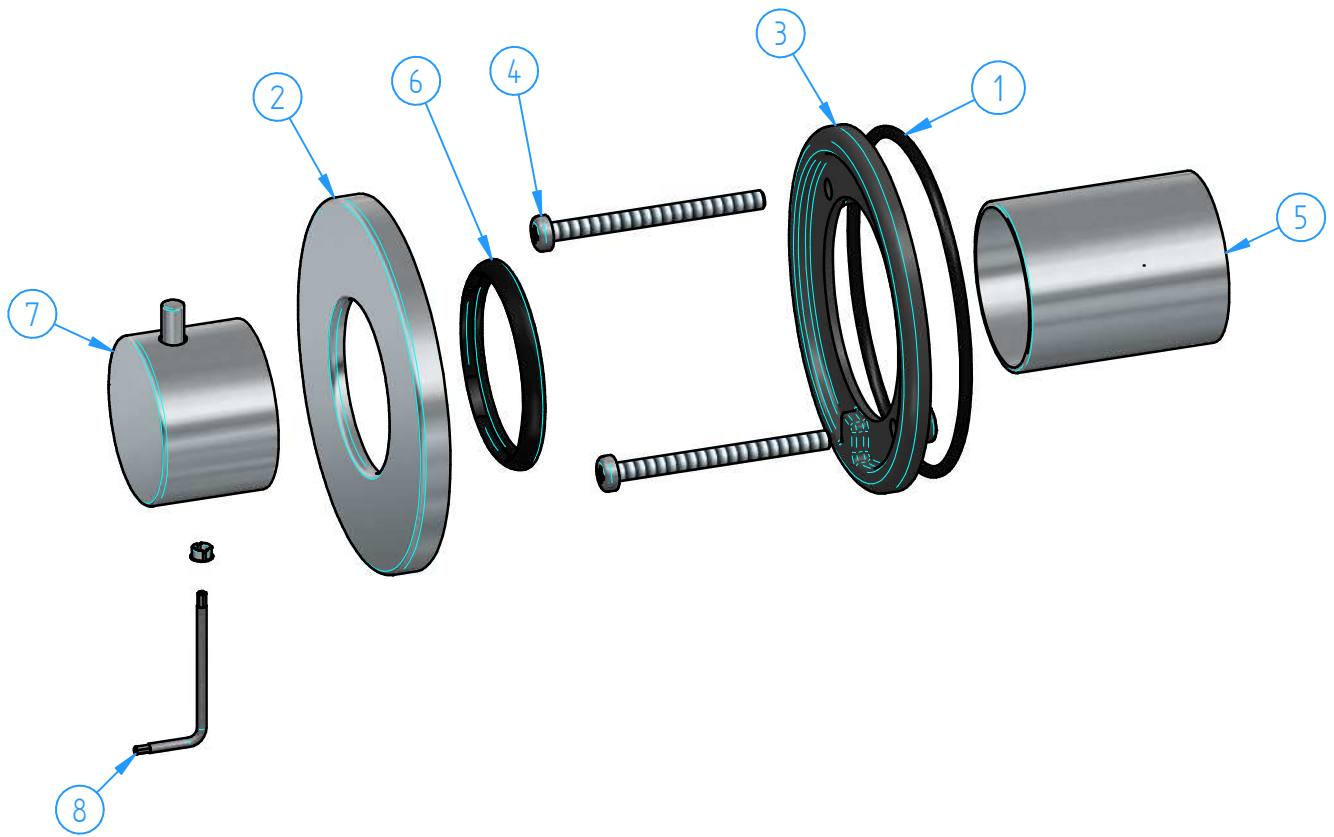
18	B009-51	Logo label	1
17	B009-50	Label for installation depth	3
16	B007-06	Wall gasket	1
15	B007-05	Cover for concealed box	1
14	B009-12	Sealing insert white	2
13	B009-14	sealing insert red	1
12	B009-17	Screw M4x8	2
11	B009-13	Sealing insert blue	1
10	B009-23	O.ring	4
9	B009-003	Thermostatic cartridge	1
8	B009-004	Check-valve and filter	2
7	B009-01	Thermostatic body	1
6	B009-11	Stop ring	1
5	B009-06	Locking nut thermostatic cartridge	1
4	B009-19	Screw M5x60	2
3	B009-22	O.ring	4
2	B009-24	O.ring	1
1	B007-04	Concealed box	1
ID Number	Code	Description	Pcs

				Sheet	1 of 1
				Scale	1:3
N°	REVIEW			Date	
Description				Material	
Concealed set for thermostatic HB007				Weight	
				0 kg	
Code B007-002				Finishing	
Date of issue	20/04/2017	Chamfers not quoted	0.5x45°	SM Grinding	LU Polishing
<small>This drawing is property reserved of Hotbath Srl. Without express authorization, the copying, distribution and utilization of this document as well as the communication to others is prohibited.</small>					
				<small>Italian bathroomware</small>	




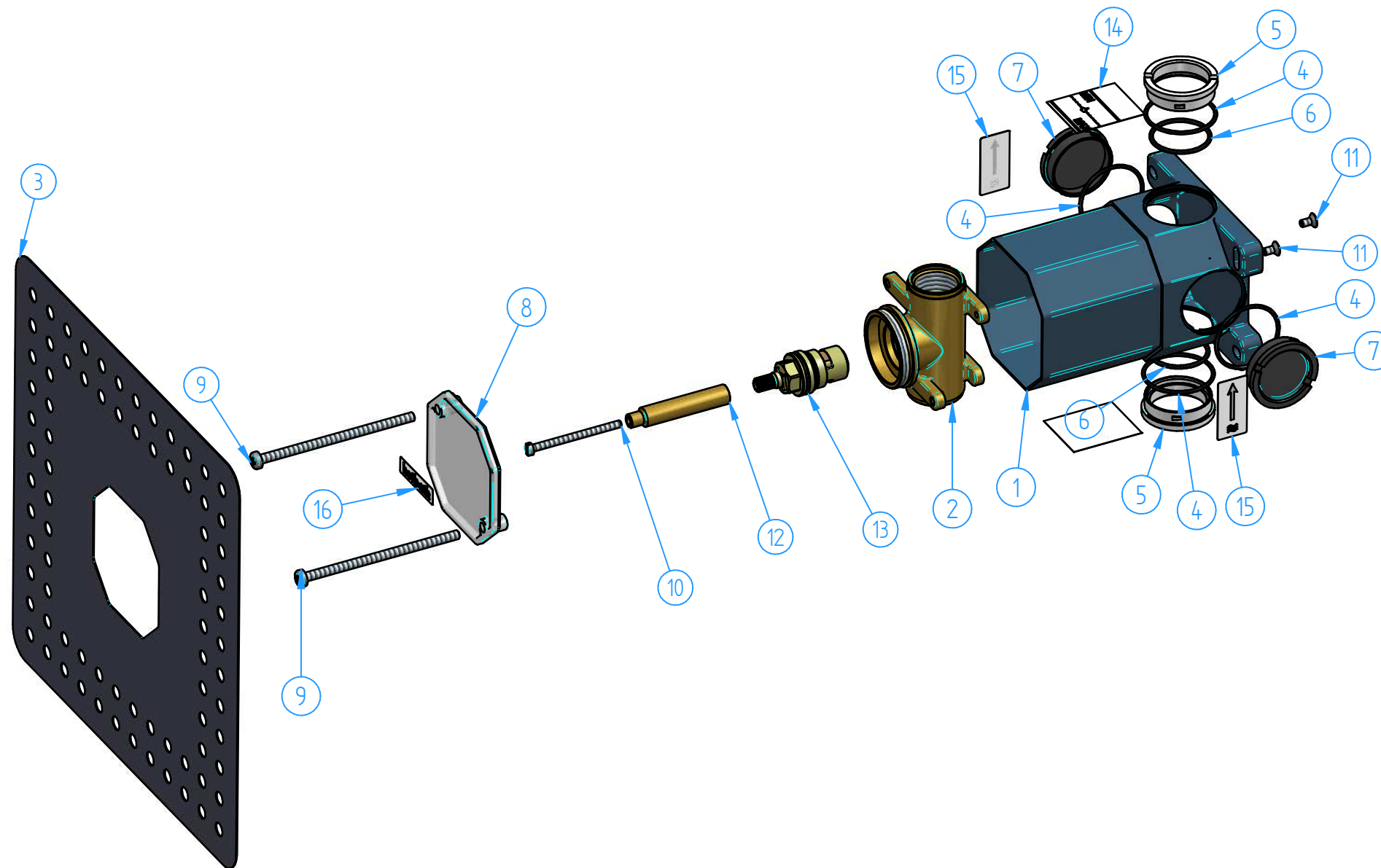
9	B009-009	Check-valve	1
8	B009-21	O.ring	1
7	B009-43	Check-valv/filter body	1
6	B009-44	Screw for regulation flow	1
5	B009-47	Seger for screw regulator	1
4	B009-45	Filter	1
3	B009-46	Filter seger	1
2	B009-49	O.ring	1
1	B009-48	O.ring	1
ID Number	Code	Description	Pcs

		Sheet 1 of 1	
		Scale 1:1	
N°	REVIEW	Date	
Description Check-valve and filter		Material	
		Weight 0 kg	
Code B009-004	Date of issue 20/04/2017	Finishing SM LU CR Grinding Polishing GN	
		Chamfers not quoted 0.5x45°	
<small>This drawing is property reserved of Hotbath Srl. Without express authorization, the copying, distribution and utilization of this document as well as the communication to others is prohibited</small>			



8	B009-008	Handles kit	1
7	B009-007	Diverter handle	1
6	B009-31	Flange gasket	1
5	B009-27	Cover for diverter/tap	1
4	B009-19	Screw M5x60	2
3	B010-02	Sealing cover	1
2	B010-01	Flange	1
1	B010-03	O.ring	1
ID Number	Code	Description	Pcs

				Sheet	1 of 1
				Scale	1:2
N°	REVIEW			Date	
Description				Material	
Trim set for concealed tap B010N				Weight	
				0 kg	
Code B010-001		Date of issue	20/04/2017	Finishing	
		Chamfers not quoted	0.5x45°	SM Grinding	LU Polishing
				CR GN	
<p>This drawing is property reserved of Hotbath Srl. Without express authorization, the copying, distribution and utilization of this document as well as the communication to others is prohibited</p>					
				 <p>Italian bathroomware</p>	



16	B009-51	Logo label	1
15	B009-52	Arrow label	2
14	B009-50	Label for installation depth	2
13	B010-003	1/2" Ceramics headwork 90°	1
12	B009-08	Extension for diverter	1
11	B009-17	Screw M4x8	2
10	B009-18	Screw M4x55	1
9	B010-08	Screw M5x95	2
8	B010-06	Cover for concealed box	1
7	B009-15	Sealing plug	2
6	B009-22	O.ring	2
5	B009-12	Sealing insert white	2
4	B009-23	O.ring	4
3	B010-07	Wall gasket	1
2	B010-04	Concealed body tap	1
1	B010-05	Concealed box	1
ID Number	Code	Description	Pcs

		Sheet 1 of 1	
		Scale 1:3	
N°	REVIEW	Date	
Description		Material	
Concealed set for 010		Weight 0 kg	
Code B010-002	Date of issue 20/04/2017	Chamfers not quoted 0.5x45°	Finishing
		SM LU CR Grinding Polishing GN	
<small>This drawing is property reserved of Hotbath Srl. Without express authorization, the copying, distribution and utilization of this document as well as the communication to others is prohibited</small>			

