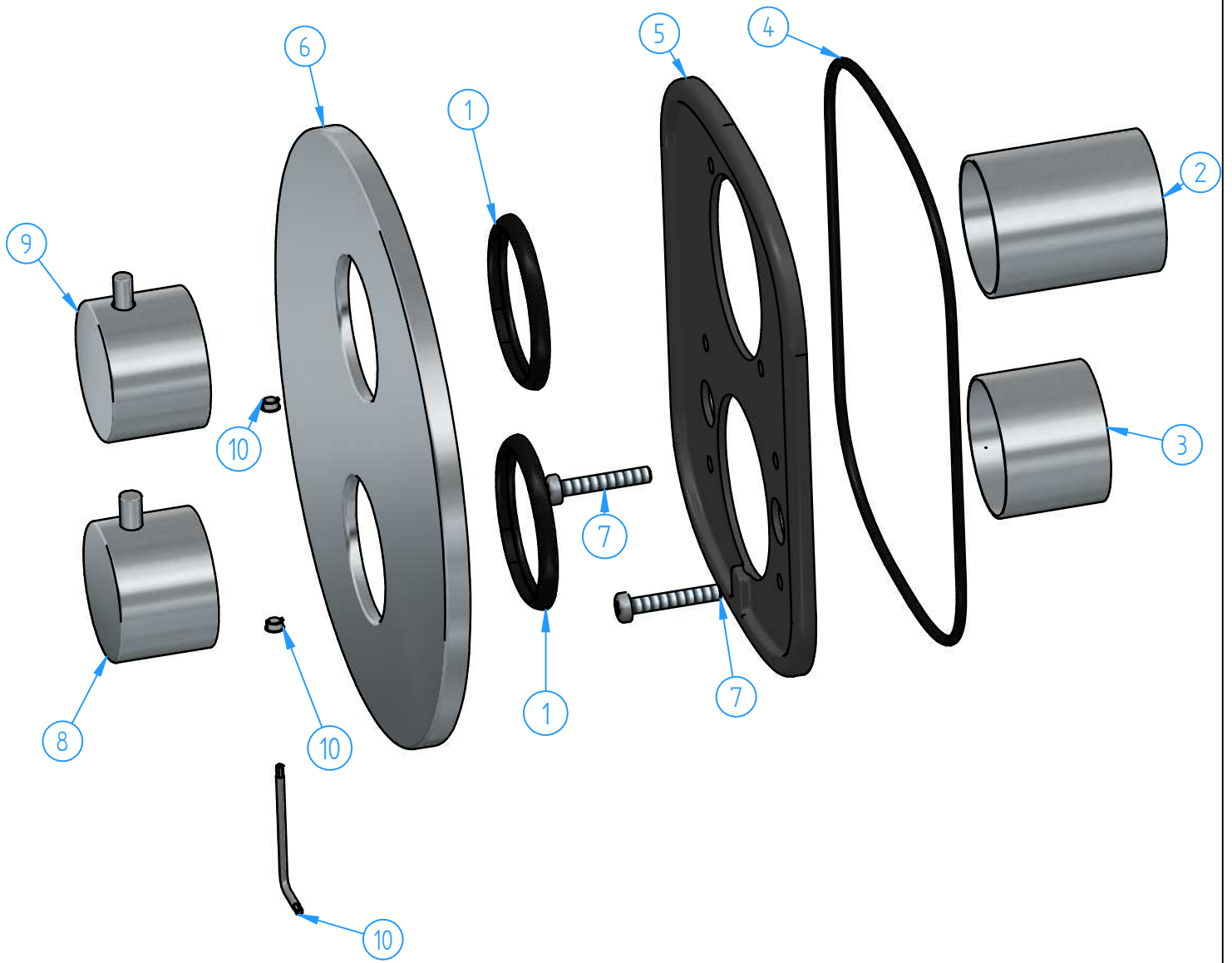


2	B009-001	Trim parts for B009	1
1	B009-002	Concealed set for 009	1
ID Number	Code	Description	Pcs

				Sheet	<b>1 of 1</b>
				Scale	<b>1:5</b>
N°	REVIEW			Date	
Description				Material	
<b>Concealed thermomixer, with 2-ways diverter</b>				Weight	
				0 kg	
Code	<b>CB009-00</b>	Date of issue	21/04/2017	Chamfers not quoted	0.5x45°
				SM Grinding	LU Polishing
				CR GN	

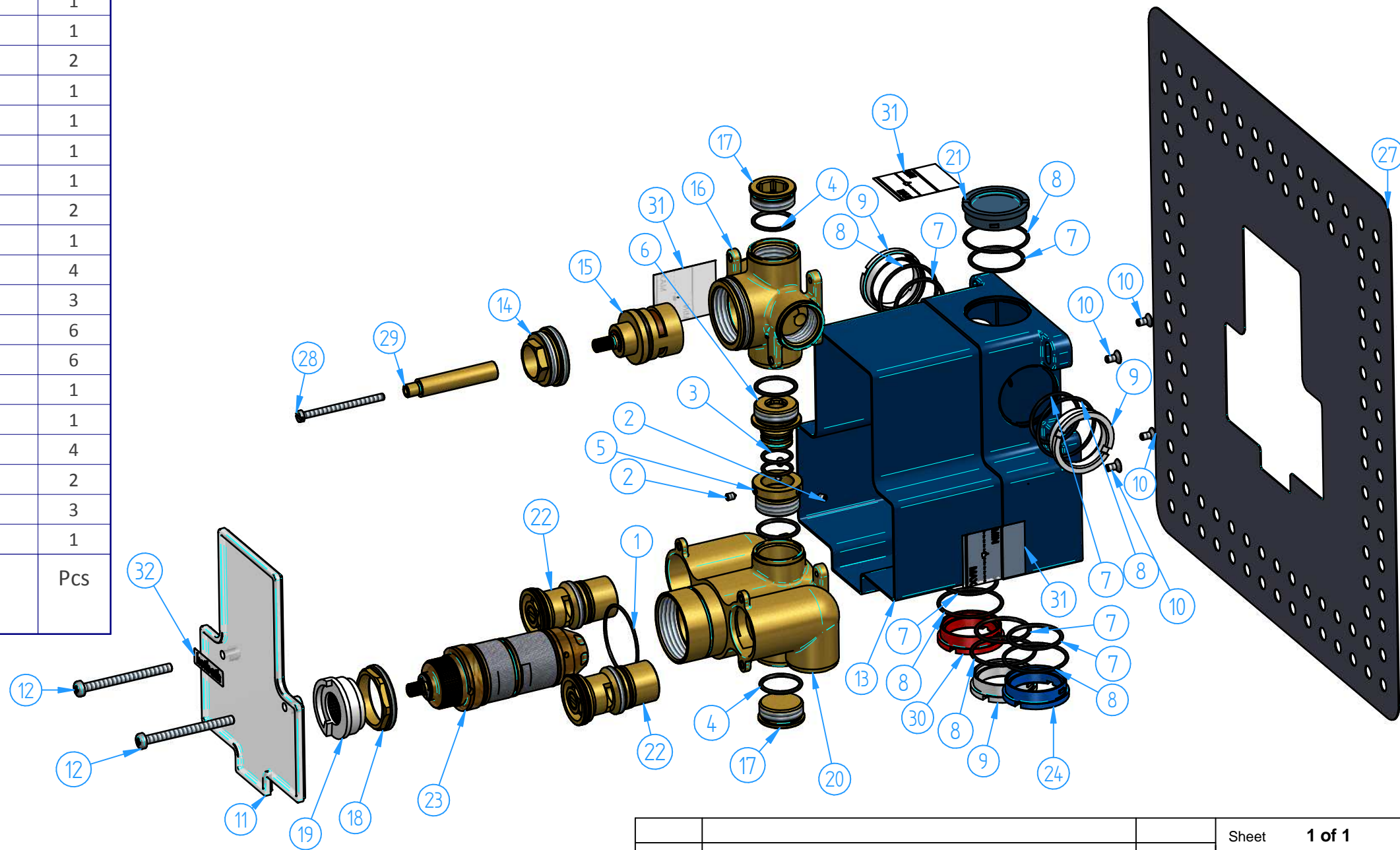
This drawing is property reserved of Hotbath Srl.  
Without express authorization, the copying, distribution and utilization of this document as well as the communication to others is prohibited



10	B009-008	Handles kit	1
9	B009-007	Diverter handle	1
8	B009-006	Thermostatic handle	1
7	B009-32	Screw M5x30	2
6	B009-28	Flange	1
5	B009-29	Sealing cover	1
4	B009-30	O.ring	1
3	B009-26	Thermostatic cartridge cover	1
2	B009-27	Cover for diverter/tap	1
1	B009-31	Flange gasket	2
ID Number	Code	Description	Pcs

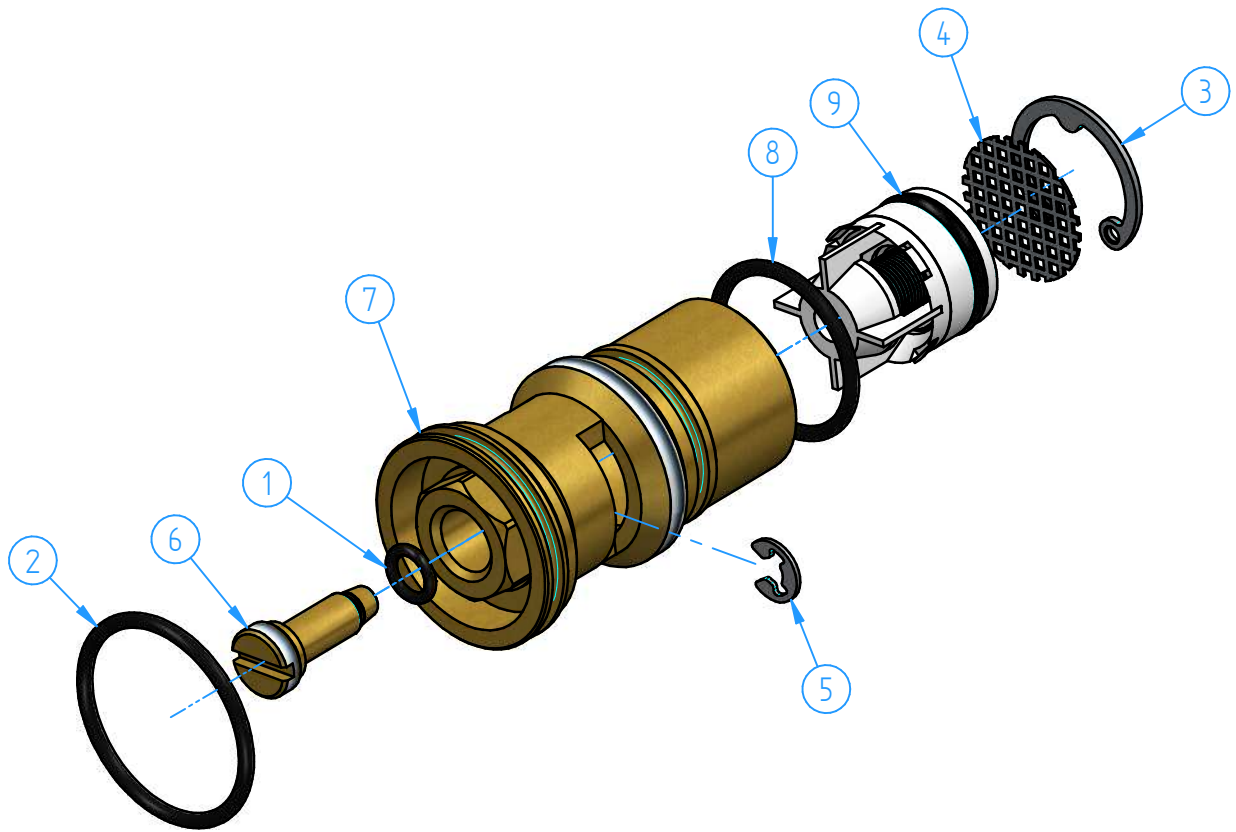
				Sheet	<b>1 of 1</b>
				Scale	<b>1:2</b>
N°	REVIEW			Date	
Description				Material	
<b>Trim parts for B009</b>				Weight	
				0 kg	
Code <b>B009-001</b>	Date of issue 20/04/2017	Chamfers not quoted 0.5x45°		Finishing	
<small>This drawing is property reserved of Hotbath Srl. Without express authorization, the copying, distribution and utilization of this document as well as the communication to others is prohibited</small>					

32	B009-51	Logo label	1
31	B009-50	Label for installation depth	3
30	B009-14	sealing insert red	1
29	B009-08	Extension fot diverter	1
28	B009-18	Screw M4x55	1
27	B009-25	Wall gasket	1
24	B009-13	Sealing insert blue	1
23	B009-003	Thermostatic cartridge	1
22	B009-004	Check-valve and filter	2
21	B009-15	Sealing plug	1
20	B009-01	Thermostatic body	1
19	B009-11	Stop ring	1
18	B009-06	Locking nut thermostatic cartridge	1
17	B009-03	Plug	2
16	B009-02	Diverter body	1
15	B009-005	2-Ways diverter cartridge	1
14	B009-07	Locking nut diverter cartridge	1
13	B009-09	Concealed box	1
12	B009-19	Screw M5x60	2
11	B009-10	Cover for concealed box	1
10	B009-17	Screw M4x8	4
9	B009-12	Sealing insert white	3
8	B009-23	O.ring	6
7	B009-22	O.ring	6
6	B009-05	Threaded fitting diverter	1
5	B009-04	Tthreaded fitting thermostatic body	1
4	B009-21	O.ring	4
3	B009-20	O.ring	2
2	B009-16	Dowel M4x6	3
1	B009-24	O.ring	1
ID Number	Code	Description	Pcs



		Sheet <b>1 of 1</b>	
		Scale <b>1:3</b>	
N°	REVIEW	Date	
Description		Material	
<b>Concealed set for 009</b>		Weight 0 kg	
Code <b>B009-002</b>	Date of issue 20/04/2017	Chamfers not quoted 0.5x45°	Finishing
		SM LU CR Grinding Polishing GN	
This drawing is property reserved of Hotbath Srl. Without express authorization, the copying, distribution and utilization of this document as well as the communication to others is prohibited			





9	B009-009	Check-valve	1
8	B009-21	O.ring	1
7	B009-43	Check-valv/filter body	1
6	B009-44	Screw for regulation flow	1
5	B009-47	Seger for screw regulator	1
4	B009-45	Filter	1
3	B009-46	Filter seger	1
2	B009-49	O.ring	1
1	B009-48	O.ring	1
ID Number	Code	Description	Pcs

		Sheet <b>1 of 1</b>	
		Scale <b>1:1</b>	
N°	REVIEW	Date	
Description <b>Check-valve and filter</b>		Material	
		Weight 0 kg	
Code <b>B009-004</b>	Date of issue 20/04/2017	Finishing SM LU CR Grinding Polishing GN	
		Chamfers not quoted 0.5x45°	
<small>This drawing is property reserved of Hotbath Srl. Without express authorization, the copying, distribution and utilization of this document as well as the communication to others is prohibited</small>			