

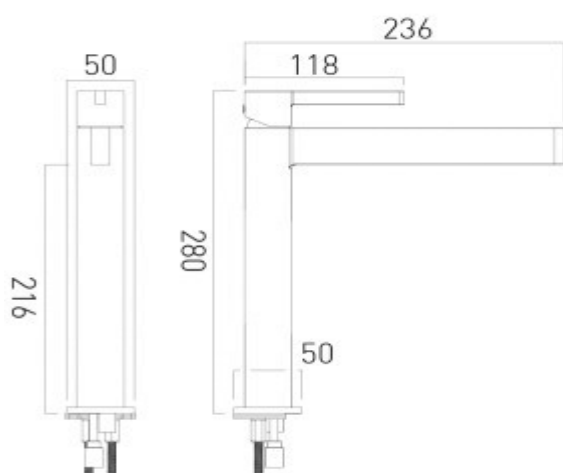


it's a personal experience
taps | showering | accessories

technical sheet
product code: EDI-100E/SB-C/P



technical drawing:



description: extended mono basin mixer
single lever
deck mounted
smooth bodied without universal basin waste

finishes: chrome

Eco recommended flow regulator product code: flow regulator fitted as standard

guarantee: 12 year guarantee

minimum operating pressure: 1.0 bar MP

flow rate at 3.0 bar flow pressure: 4 l/min

certificates and awards:



cert no. 1611318