

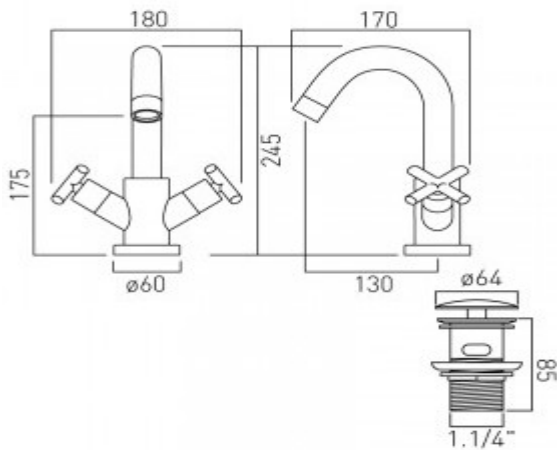


it's a personal experience  
taps | showering | accessories

technical sheet  
product code: ELW-100/CC-C/P



technical drawing:



**description:** mono basin mixer  
deck mounted  
spout can swivel or be fixed  
smooth bodied  
with clic-clac waste  
with water flow straightener  
with water flow aerator  
ceramic cartridge ELE-VALVE/CD-1/2 (HT & CL)  
2 x 1/2" nut x 400mm flexipipe connections  
2 x 15mm x 250mm rigid tail connections  
deck mount drill hole diameter 32mm

**finishes:** chrome

**Eco** recommended flow regulator product code: FR-100/5-PLA

**guarantee:** 12 year guarantee

**minimum operating pressure:** 0.2 bar LP

**flow rate at 3.0 bar flow pressure:** 17 l/min