

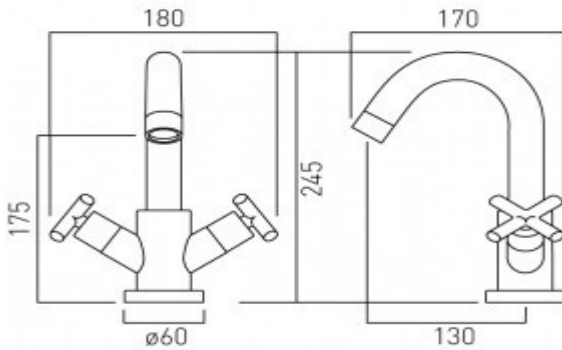


it's a personal experience
taps | showering | accessories

technical sheet
product code: ELW-100/SB-C/P



technical drawing:



description: mono basin mixer
deck mounted
spout can swivel or be fixed
smooth bodied
without clic-clac waste
with water flow straightener
with water flow aerator
ceramic cartridge ELE-VALVE/CD-1/2 (HT & CL)
2 x 1/2" nut x 400mm flexipipe connections
2 x 15mm x 250mm rigid tail connections
deck mount drill hole diameter 32mm

finishes: chrome

Eco recommended flow regulator product code: FR-100/5-PLA

guarantee: 12 year guarantee

minimum operating pressure: 0.2 bar LP

flow rate at 3.0 bar flow pressure: 17 l/min