

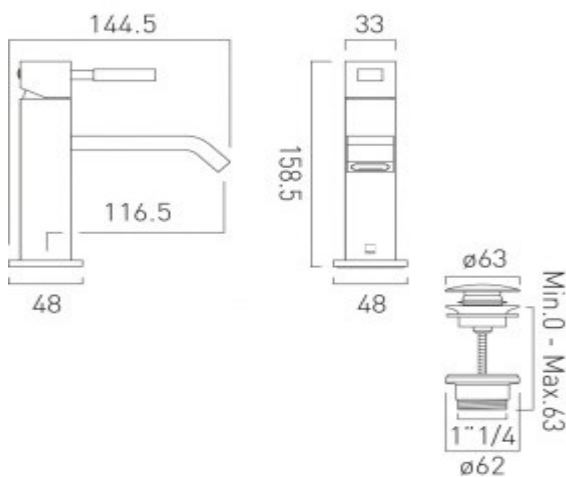


where inspiration flows
taps | showering | accessories

technical sheet
product code: GEO-200/CC-C/P




technical drawing:



description: slimline mono basin mixer
deck mounted
smooth bodied
with universal basin waste
with water flow aerator
1/2" ceramic disc 1/4 turn valves
ceramic cartridge C-010-N25
2 x 1/2" x 400mm flexipipe connections
deck mount drill hole diameter 35mm

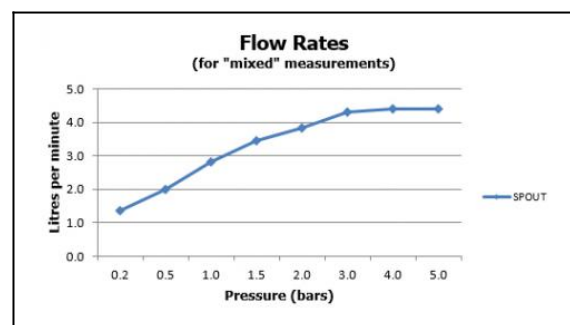
finishes: chrome

 recommended flow regulator product code: 5l/min fitted as standard

guarantee: 12 year guarantee

minimum operating pressure: 1.0 bar MP

flow rate at 3.0 bar flow pressure: 5 l/min



'mixed measurements' refers to equal hot and cold water supply
flow rate for unregulated flow unless flow regulator fitted as standard

certificates and awards:



cert no. 1801332

VADO wedmore road cheddar somerset england bs27 3eb
tel 01934 744466 fax 01934 744345 sales@vado-uk.com www.vado-uk.com