

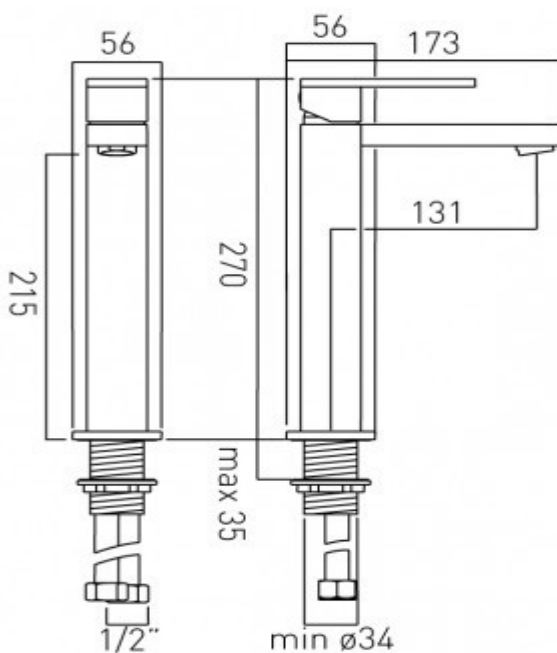


it's a personal experience  
taps | showering | accessories

technical sheet  
product code: NOT-100E/SB-C/P



technical drawing:



**description:** extended mono basin mixer  
single lever  
deck mounted  
smooth bodied  
without clic-clac waste  
with water flow aerator  
ceramic cartridge CAR-K28A  
2 x 1/2" nut x 560mm flexipipe connections  
deck mount drill hole diameter 34mm

**finishes:** chrome

**ECO** recommended flow regulator product code: FR-100/5-PLA

**guarantee:** 12 year guarantee

**minimum operating pressure:** 1.0 bar MP

**flow rate at 3.0 bar flow pressure:** 11 l/min

**certificates and awards:**



cert no. 1209362