

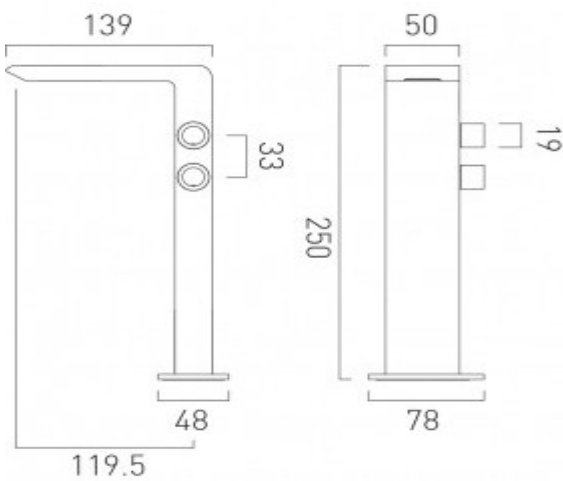


where inspiration flows  
taps | showering | accessories

technical sheet  
product code: OMI-100E/SB-C/P



technical drawing:



description: extended mono basin mixer  
deck mounted  
smooth bodied  
without universal basin waste  
water flow aerator  
1/4 turn ceramic disk valves  
2 x F-401-RTC  
2 x 1/2" x 400mm flexipipe connections  
deck mount drill hole diameter 35mm

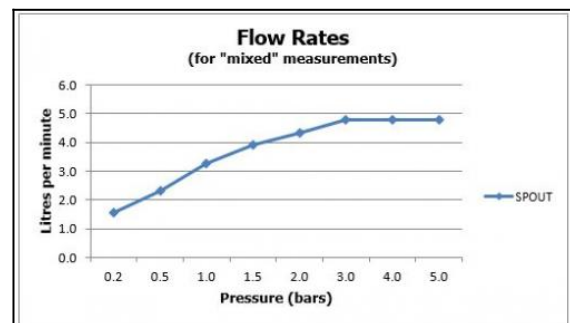
finishes: chrome

recommended flow regulator product code: fitted as standard

guarantee: 12 year guarantee

minimum operating pressure: 1.0 bar MP

flow rate at 3.0 bar flow pressure: 4 l/min



'mixed measurements' refers to equal hot and cold water supply  
flow rate for unregulated flow unless flow regulator fitted as standard