

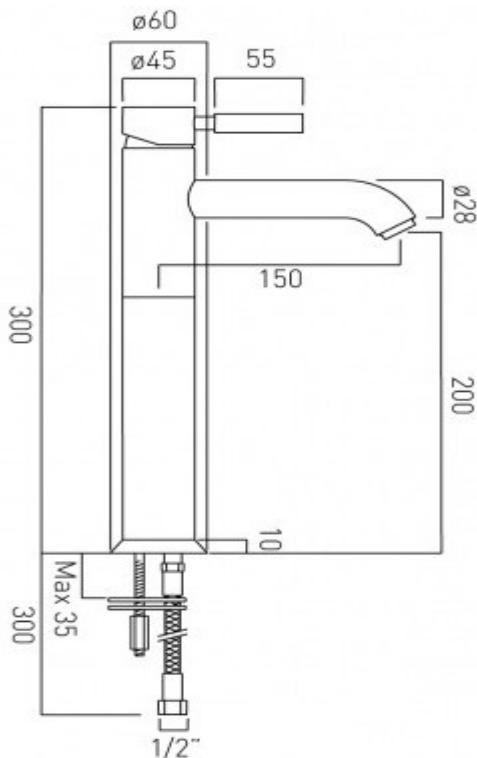


it's a personal experience
taps | showering | accessories

technical sheet
product code: ORI-100E/SB-C/P



technical drawing:



description: extended mono basin mixer
single lever
deck mounted
smooth bodied
without clic-clac waste
with water flow aerator
ceramic cartridge CAR-K35A
2 x 1/2" nut x 550mm flexipipe connections
deck mount drill hole diameter 33mm

finishes: chrome

Eco recommended flow regulator product code: FR-100/5-PLA

guarantee: 12 year guarantee

minimum operating pressure: 0.2 bar LP

flow rate at 3.0 bar flow pressure: Aerator: 14, Flow st: 20 l/min