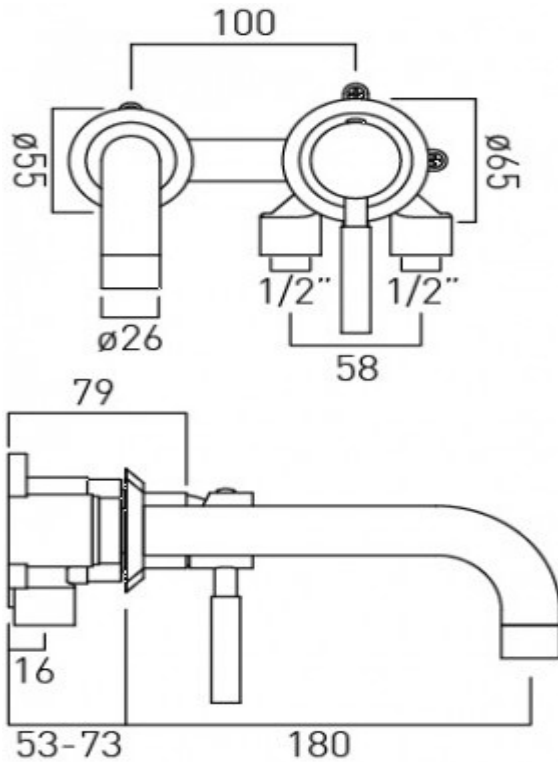


There is currently no main image for this product.

technical drawing:



description: 2 hole basin mixer
single lever
wall mounted
with water flow straightener
with water flow aerator
ceramic cartridge CAR-K35B
2 x 1/2" inlets
1 x 1/2" outlets
min-max wall mount 53-73mm for the valve

finishes: chrome

Eco recommended flow regulator product code: FR-100/5-PLA

guarantee: 12 year guarantee

minimum operating pressure: 0.2 bar LP

certificates and awards:



cert no. 1505018