

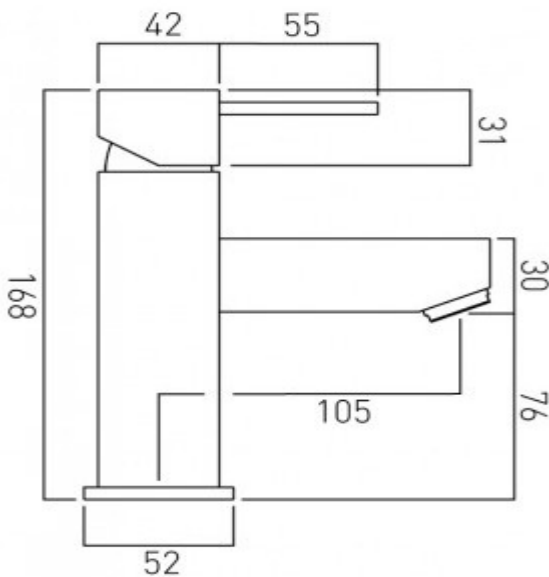


it's a personal experience
taps | showering | accessories

technical sheet
product code: TE-100/SB-C/P



technical drawing:



description: mono basin mixer
single lever
deck mounted
smooth bodied
without clic-clac waste
with water flow aerator
ceramic cartridge CAR-K35A
2 x 1/2" x 400mm flexipipe connections
deck mount drill hole diameter 32mm

finishes: chrome

ECO recommended flow regulator product code: FR-100/5-PLA

guarantee: 12 year guarantee

minimum operating pressure: 0.2 bar LP

flow rate at 3.0 bar flow pressure: 14 l/min

certificates and awards:



cert no. 1312026