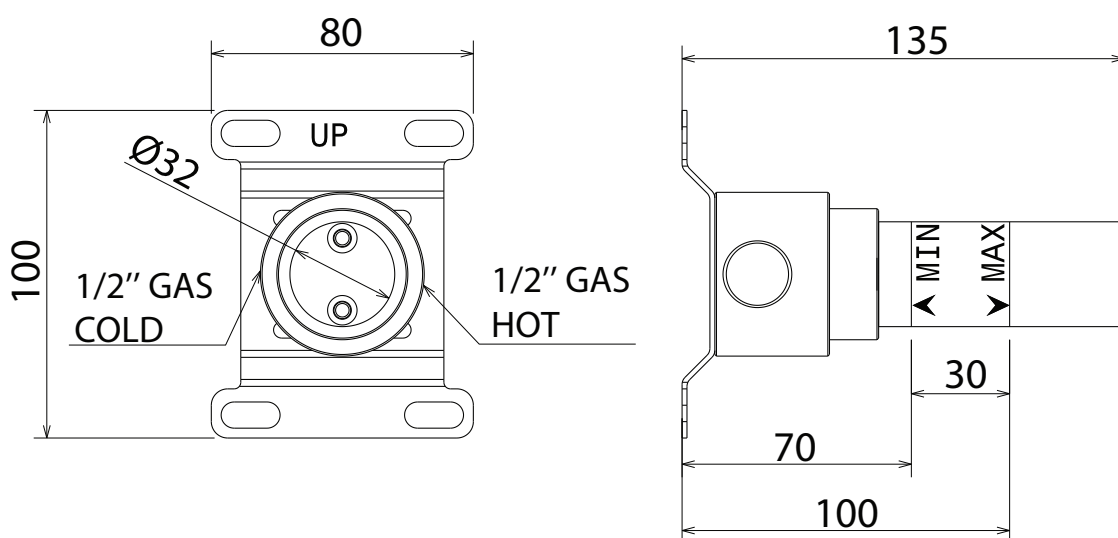


BUILT-IN PART

INC 001



Built-in part
Parte incasso