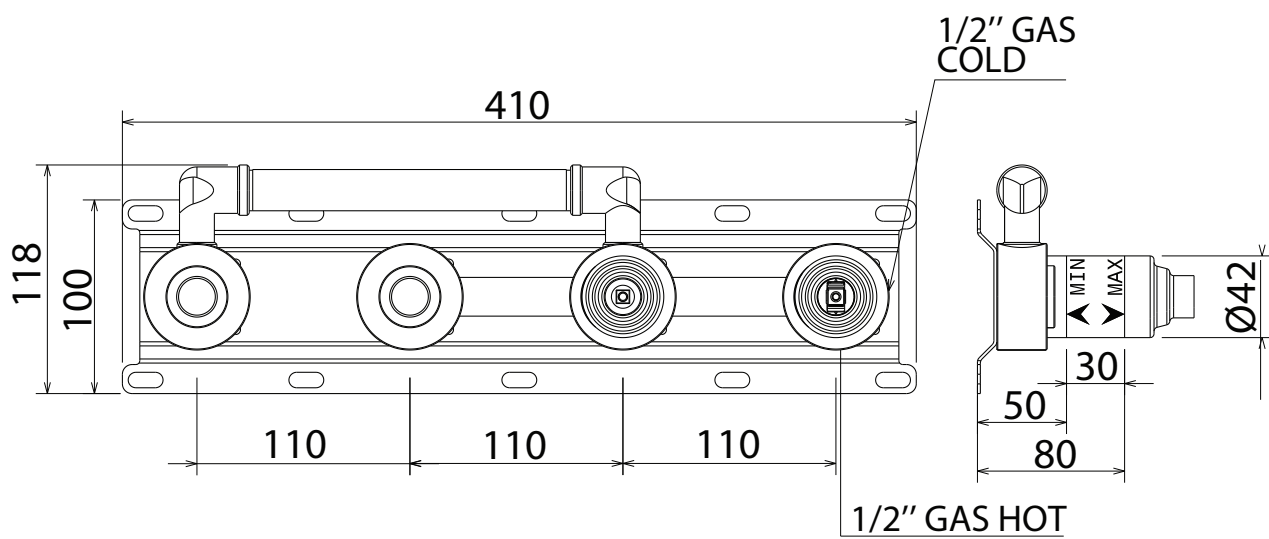
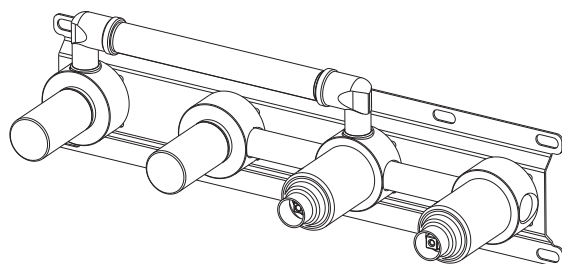


# BUILT-IN PART



INC 006



Built-in part  
Parte incasso